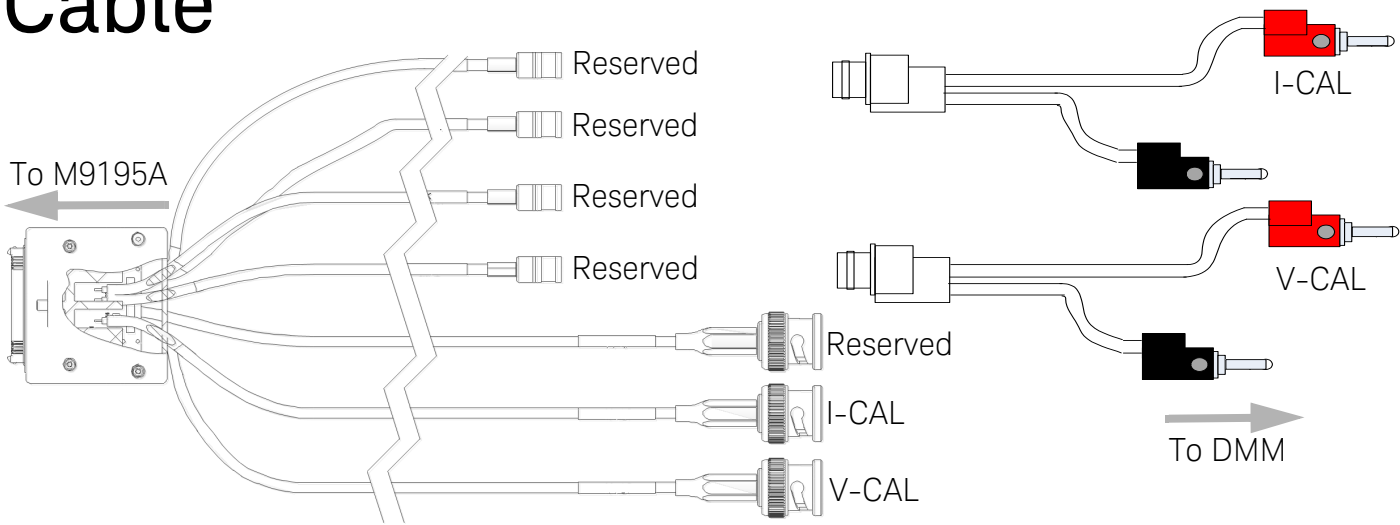


Keysight Y1252A Digital Stimulus/Response Adjustment Cable



Keysight's Y1252A cable consists of three cable assemblies necessary for voltage and current adjustments of the M9195A Digital Stimulus/Response (DSR) module. These cables are used with a high-end digital multimeter (DMM) to adjust on-board analog-digital conversion along with signal timing at the front panel.

Keysight recommends full calibration every year to achieve the highest level of performance. Full calibration requires Performance Verification testing as well the Adjustment routines supported by the Y1252A. For more information on full calibration, refer to the *M9195A Service Guide* available at through <http://www.keysight.com/find/M9195A>.

Adjustment and Performance Verification of the M9195A both require software under license from Keysight:

- N7800A Test Management Environment
- N7876 PXI Digital IO application

For more details on this software see: <http://cal.software.keysight.com/>

Also Required for Adjustment

In addition to the Y1252A cable, and the software described above, the following are required for adjustment of the M9195A:

- DMM with GPIB interface (Keysight 3458A or equivalent)
- GPIB cable connecting digital multimeter to the PC
- PXI chassis (Keysight M901xX or equivalent)
- Host PC with GPIB or PXIe embedded PC controller with GPIB on Windows 7

For voltage adjustment, a 5.5 digit DMM or better is sufficient. For current adjustment, a DMM capable of measuring $10\text{mA} \pm 0.05\%$ is required.

Warranty

THE MATERIAL CONTAINED IN THIS DOCUMENT IS PROVIDED "AS IS," AND IS SUBJECT TO BEING CHANGED, WITHOUT NOTICE, IN FUTURE EDITIONS. FURTHER, TO THE MAXIMUM EXTENT PERMITTED BY APPLICABLE LAW, KEYSIGHT DISCLAIMS ALL WARRANTIES, EITHER EXPRESS OR IMPLIED, WITH REGARD TO THIS MANUAL AND ANY INFORMATION CONTAINED HEREIN, INCLUDING BUT NOT LIMITED TO THE IMPLIED WARRANTIES OF MERCHANTABILITY AND FITNESS FOR A PARTICULAR PURPOSE. KEYSIGHT SHALL NOT BE LIABLE FOR ERRORS OR FOR INCIDENTAL OR CONSEQUENTIAL DAMAGES IN CONNECTION WITH THE FURNISHING, USE, OR PERFORMANCE OF THIS DOCUMENT OR OF ANY INFORMATION CONTAINED HEREIN. SHOULD KEYSIGHT AND THE USER HAVE A SEPARATE WRITTEN AGREEMENT WITH WARRANTY TERMS COVERING THE MATERIAL IN THIS DOCUMENT THAT CONFLICT WITH THESE TERMS, THE WARRANTY TERMS IN THE SEPARATE AGREEMENT SHALL CONTROL.

DFARS/Restricted Rights Notices

If software is for use in the performance of a U.S. Government prime contract or subcontract, Software is delivered and licensed as "Commercial computer software" as defined in DFAR 252.227-7014 (June 1995), or as a "commercial item" as defined in FAR 2.101(a) or as "Restricted computer software" as defined in FAR 52.227-19 (June 1987) or any equivalent agency regulation or contract clause. Use, duplication or disclosure of Software is subject to Keysight Technologies' standard commercial license terms, and non-DOD Departments and Agencies of the U.S. Government will receive no greater than Restricted Rights as defined in FAR 52.227-19(c)(1-2) (June 1987). U.S. Government users will receive no greater than Limited Rights as defined in FAR 52.227-14 (June 1987) or DFAR 252.227-7015 (b)(2) (November 1995), as applicable in any technical data.



This product complies with the WEEE Directive (2002/96/EC) marking requirement. The affixed product label indicates that you must not discard this electrical/electronic product in domestic household waste.

Product Category: With reference to the equipment types in the WEEE Directive Annex 1, this product is classified as a "Monitoring and Control instrumentation" product.

Do not dispose in domestic household waste.

To return unwanted products, contact your local Keysight office, or see: www.keysight.com/environment/<product> for more information.



This symbol represents the time period during which no hazardous or toxic substance elements are expected to leak or deteriorate during normal use. Forty years is the expected useful life of this product.

